

FAX BACK

If you would like an obligation free estimate for our service please complete the details below and fax to 01379 658720.

Company	
Address	
Contact Name	
Telephone	
Email	
Number of Coolers	
Specialist Access Equipment	Yes __ No __ Don't Know __
Pad Replacement	Yes __ No __ Don't Know __
Legionnaires Risk Assessment	Yes __ No __ Don't Know __
Training	Yes __ No __ Don't Know __

Cool-Tech Ltd
Tel 01379 658721 F 01379 658720 E enquiries@cool-tech.org W www.cool-tech.org

Unit 7 Forge Business Centre, Palgrave, Diss, Norfolk IP22 1AP



Specialist Technical Services for Breezair TBA550 Evaporative Coolers

Maintenance
Low Cost Pad Replacement
Legionella Risk Assessment
Training
Spare Parts



Breezair®
Advanced natural cooling

Cool Technology offer a comprehensive package to help you maintain safe and efficient operation of your Breezair Evaporative Coolers

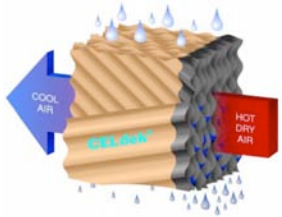
Maintenance

Cleaning: Your cooler will be pressure washed and de-scaled. A full inspection will be performed and pad condition assessed.

Configuration: The Breezair TBA550 has 12 key parameters which control its operation. We shall validate all parameters and re-commission the cooler to exactly suit your water quality to minimise scale formation. This will result in longer pad life, a cleaner and more hygienic cooler, and a more efficient cooler.

Sanitisation: The final stage of cleaning is a 30 minute sanitisation routine.

Service Report – A detailed service report will be issued. This record will satisfy the requirements of **HSC Approved Code of Practice (ACOP) Legionnaires' Disease: The control of legionella bacteria in water systems L8**

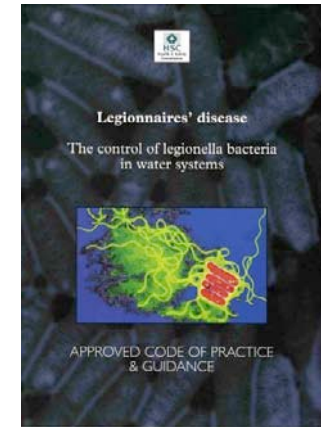


Low Cost Pad Replacement

Should your cooler require replacement cooling pads we offer genuine Munters CELdek® media. CELdek evaporative media is made from a specially engineered cellulose paper that is chemically treated to resist deterioration. These are offered at a 30% saving over the standard Breezair Chilcel pad replacement cost.

Legionnaires' Disease

All water systems should be risk assessed in order to comply with Government guidelines. Provided your Breezair TBA550 is operated and maintained correctly it is classed as a low risk system. Cool Technology can provide you with the simple documentation which ensures you fully comply with Health and Safety Commission guidelines.

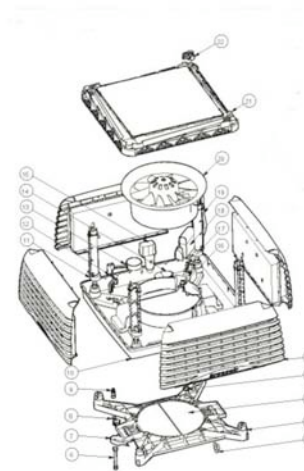


Training

After your Breezair has been re-commissioned then routine maintenance can be carried out by your own personnel. We offer comprehensive training and support documentation to enable you to do this.

Spare Parts

We can assist you in the supply of Breezair spare parts or our quality assured alternatives.



Safety

Comprehensive documentation is provided for all work performed. Method statements and risk assessment provided for all maintenance work.